

PUMPED MAINS SPRINKLER WIRING DIAGRAM

This wiring diagram shows the electrical link for a sprinkler system supplied by a pump on the mains.

This wiring diagram has been produced as a guide only. Electrical contractions should satisfy themselves as to its accuracy with regards to meeting health, safety & legislation as well as compliance with IEE regs. Domestic Sprinklers Ltd takes no responsibility for incorrectly installed or non compatible alarm systems.

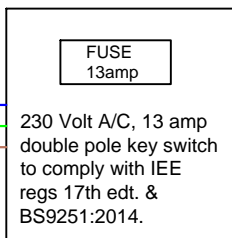
IF A PUMP IS NOT REQUIRED THEN THE ONLY ELECTRICAL REQUIREMENTS ARE JUST THE ALARM LINK FROM THE FLOW SWITCH BELOW

For the Alarm Link there is two options; Hard wired or wireless. Option 1 is for Hard wired, Option 2 is for wireless

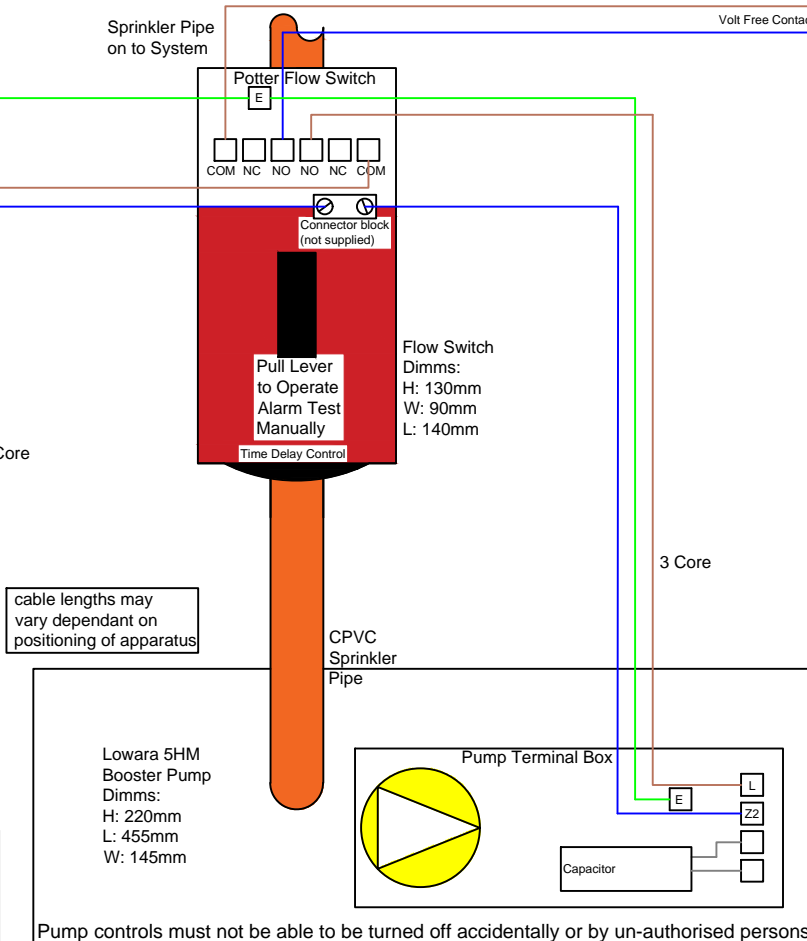
Mains feed to be a non-switched fused spur or double pole key switch.

(The supply must be tamper proof)

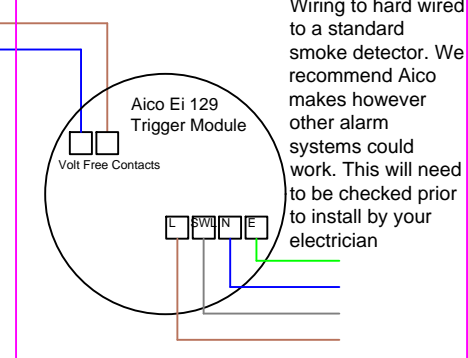
This Feed must be Non RCD fed or RCBO 16amp. It must remain live at all times.



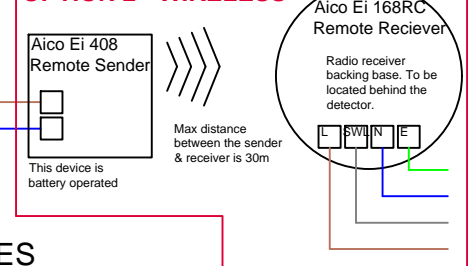
The power supply must be maintained in the event that a faulty circuit and/or appliance is the cause of a fire.



OPTION 1 - WIRED



OPTION 2 - WIRELESS



NOTES

Domestic Sprinklers provides the Flow switch.

Domestic Sprinklers Does NOT supply the trigger module if required or the smoke alarm / sounder. Please note the connector block which joins both neutrals is not supplied in the flow switch.

All cable should be a minimum of 1.5mm² and fire proof flex.

Suitable Alarms

- Ei Electronics, mains easi-fit alarms:
- Ei 141 Ionisation Smoke Alarm.
- Ei 144 Heat Alarm.
- Ei 146 Optical Smoke Alarm.
- Ei 161 Ionisation Smoke Alarm.
- Ei 164 Heat Alarm.
- Ei 166 Optical Smoke Alarm.

Other suitable alarms may be recommend by Electrical suppliers.

REV.	DESCRIPTION	DATE
A	REVISED LAYOUT FROM PREVIOUS DIAGRAM	05/02/2016



7 GREGORYS CRESCENT WELLINGTON, SOMERSET TA21 8PB
TEL: +44 (0) 1823 974727 24HR 0771 896634
TOM@DOMESTICSPRINKLERS.CO.UK
WWW.DOMESTICSPRINKLERSDEVONANDSOMERSET.CO.UK

TITLE: PUMPED MAINS FED SPRINKLER ELECTRICAL WIRING DIAGRAM

DRAWN BY: TL